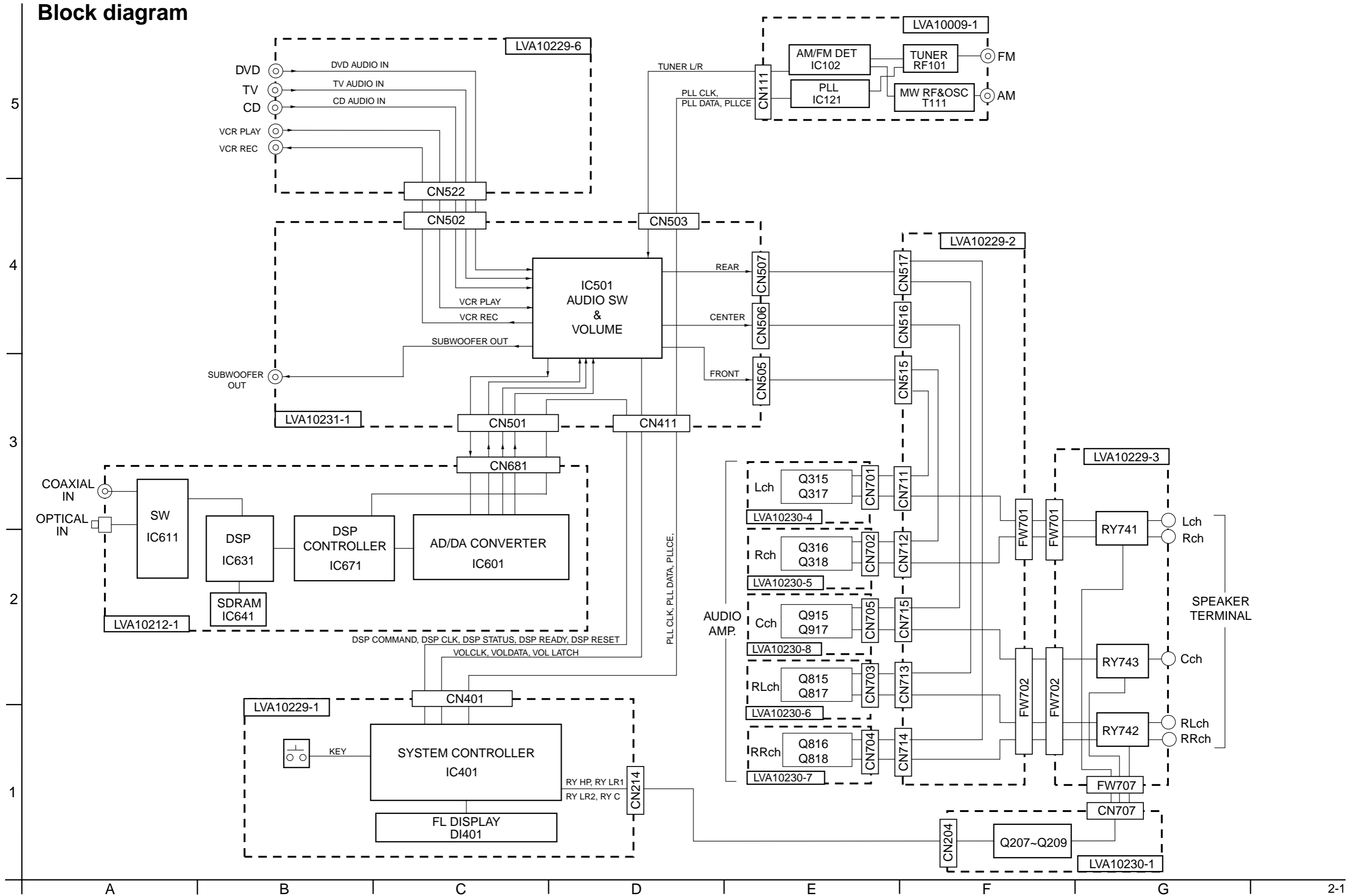
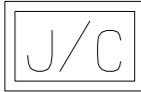


# Block diagram



# Standard schematic diagrams

## Power supply section



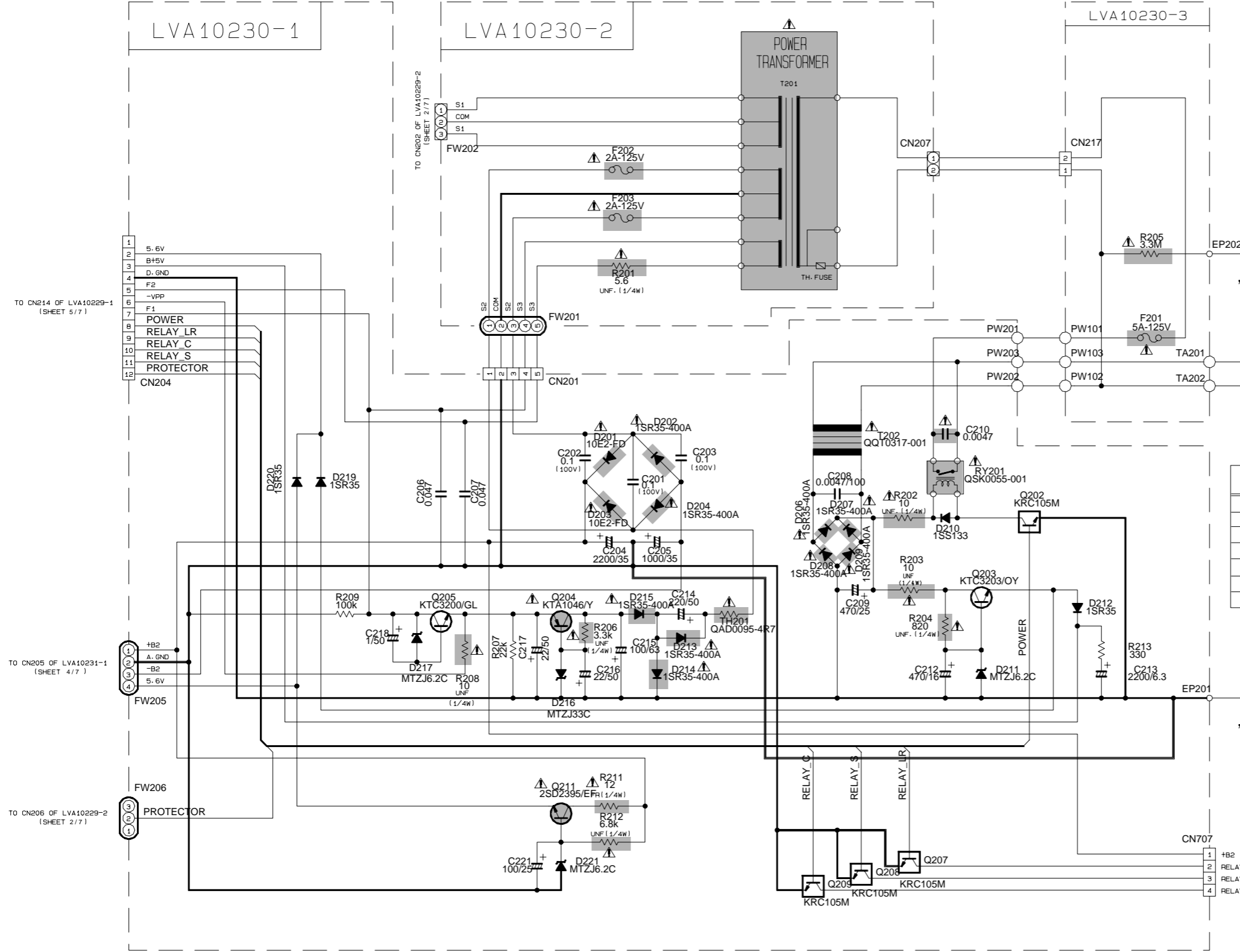
5

4

3

2

1



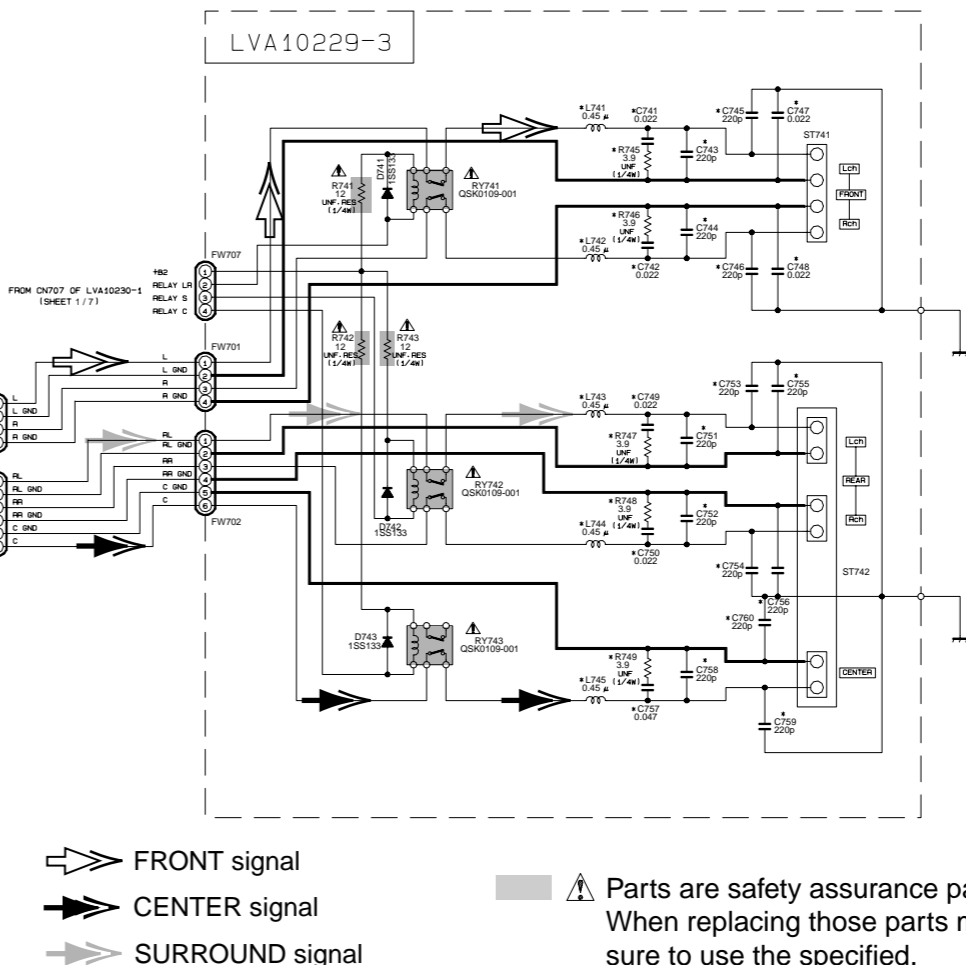
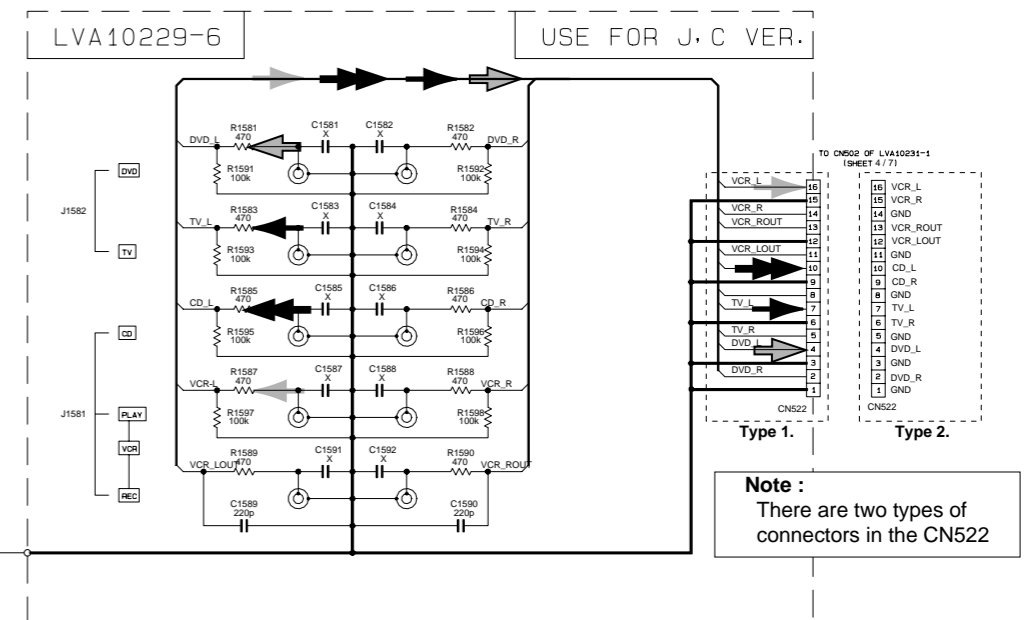
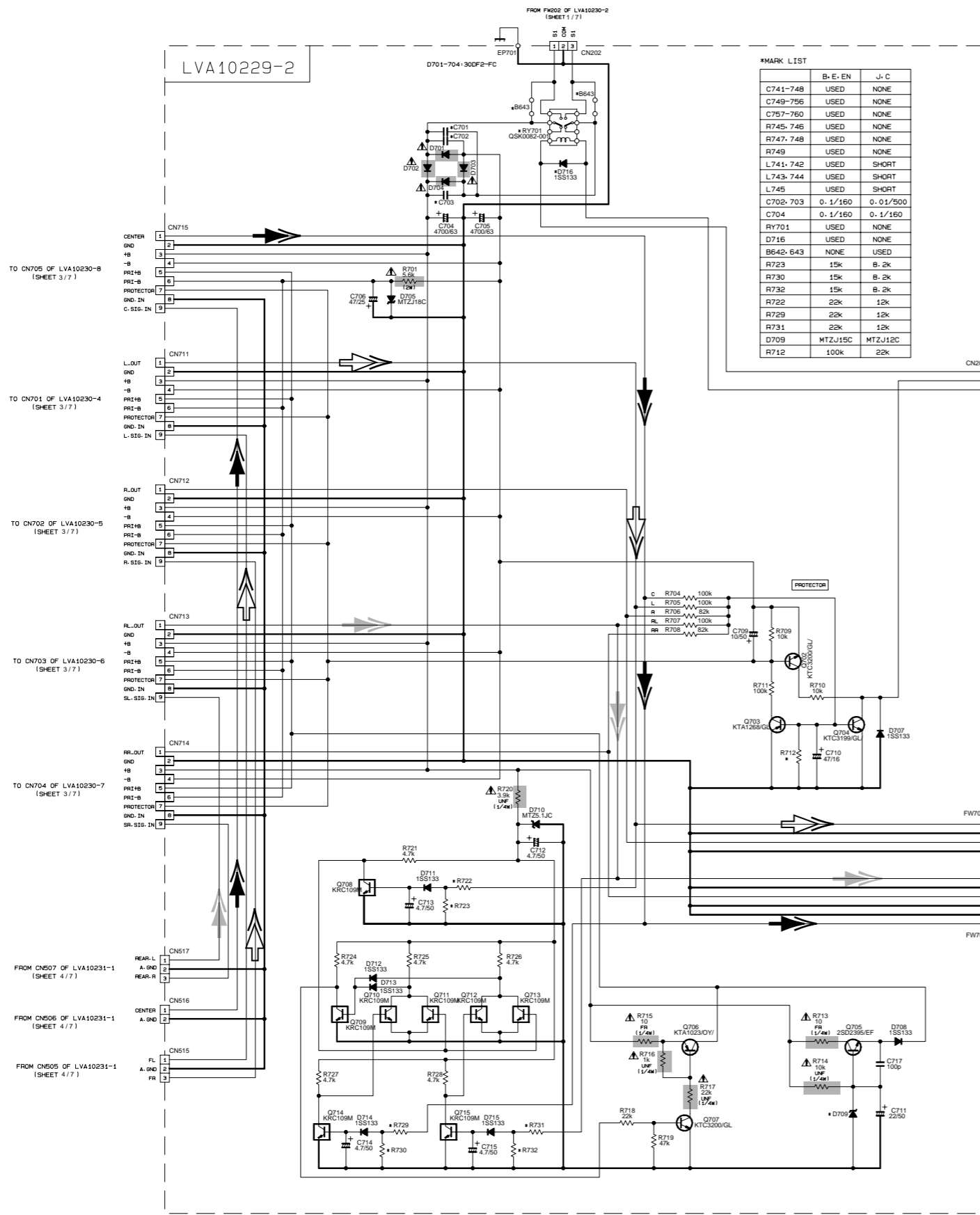
SHEET NUMBER	CIRCUIT DESCRIPTION
1 / 7	POWER SUPPLY
2 / 7	SPEAKER TERMINAL & VIDEO/AUDIO SIGNAL INPUT TERMINAL
3 / 7	AUDIO AMP
4 / 7	AUDIO SIGNAL INPUT TERMINAL
5 / 7	SYSTEM CONTROL & FL DISPLAY
6 / 7	DSP
7 / 7	TUNER

Parts are safety assurance parts. When replacing those parts make sure to use the specified.

■ Speaker terminal & Video / Audio input terminal section

➔ TV Audio signal    ➔ CD signal  
 ➔ VCR Audio signal    ➔ DVD Audio signal

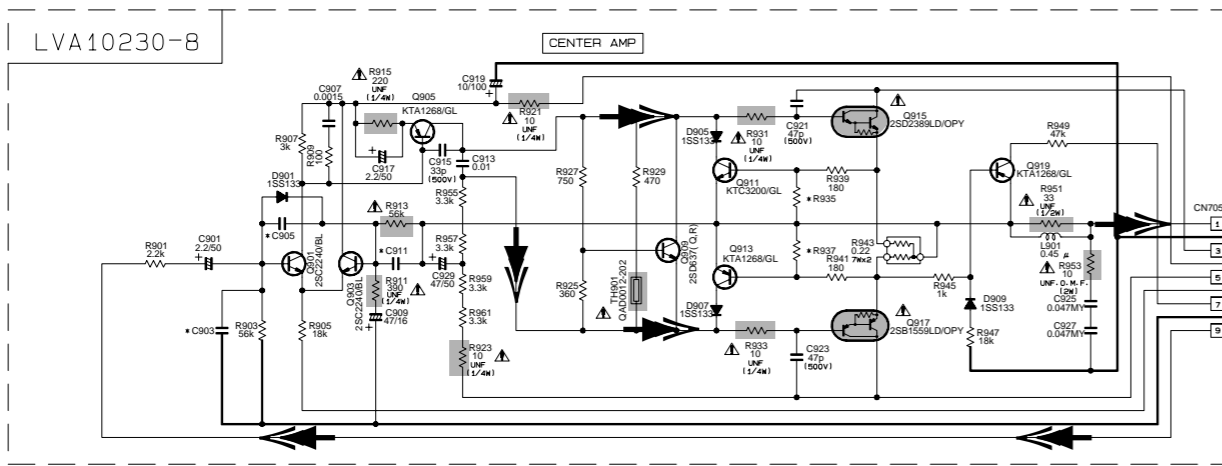
5  
4  
3  
2  
1



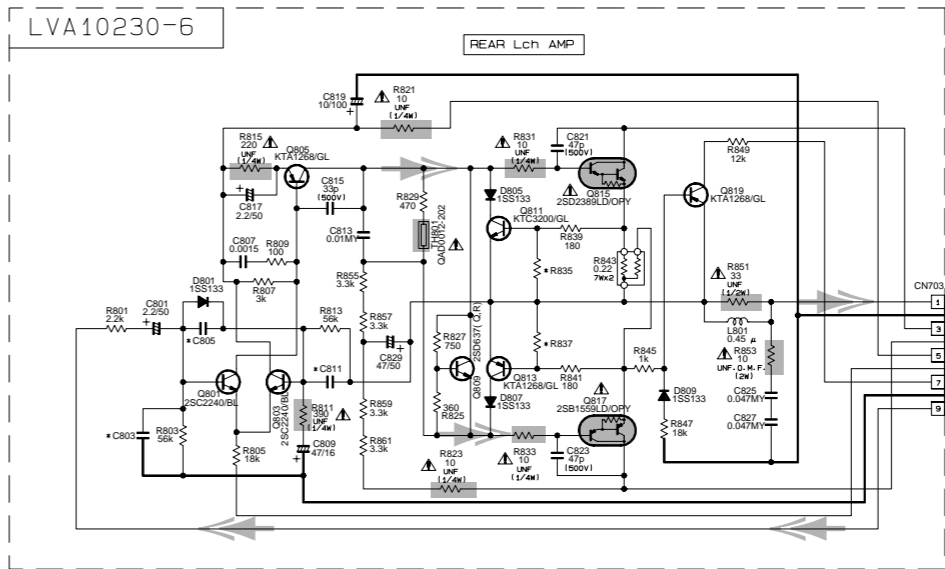
➔ FRONT signal  
 ➔ CENTER signal  
 ➔ SURROUND signal

⚠ Parts are safety assurance parts. When replacing those parts make sure to use the specified.

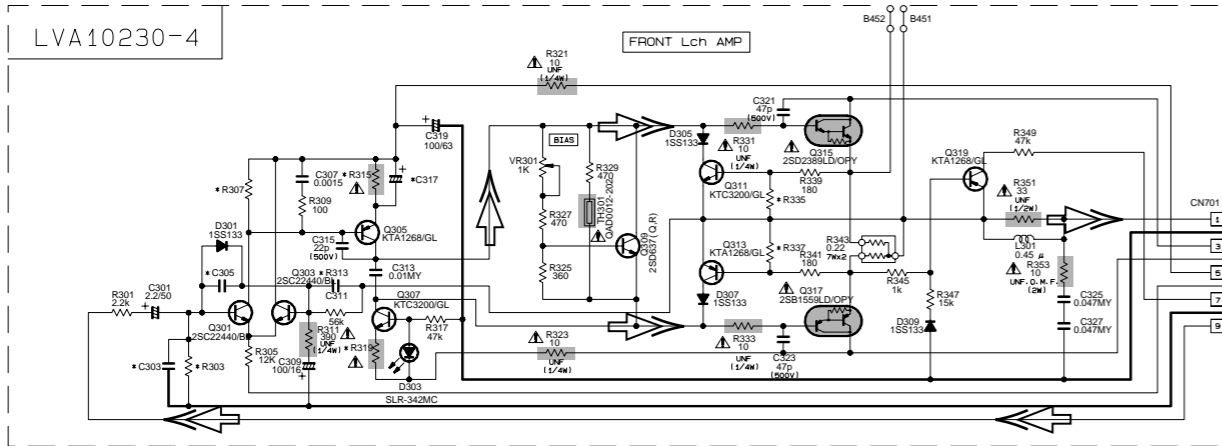
Audio amp section



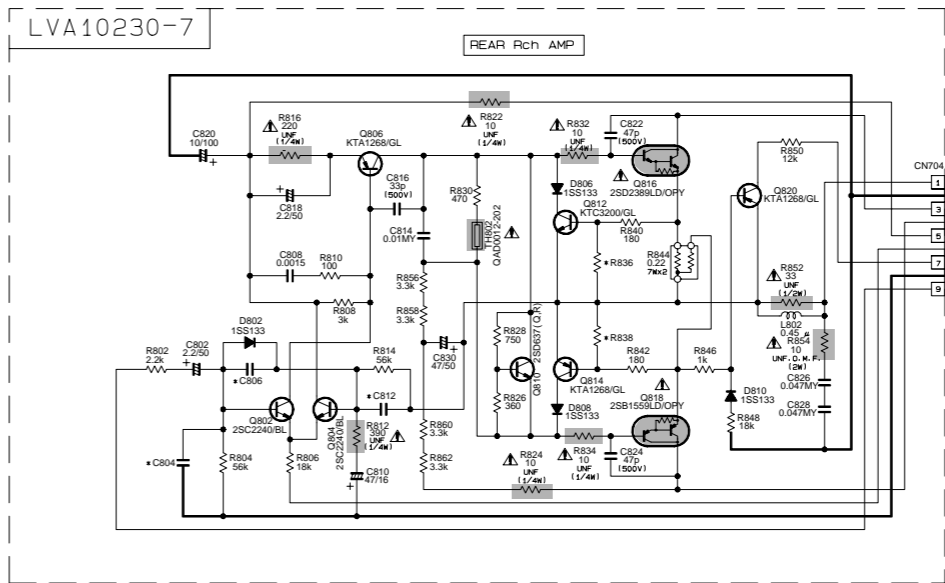
FROM CN715 OF LVA10229-2 (SHEET 2/7)



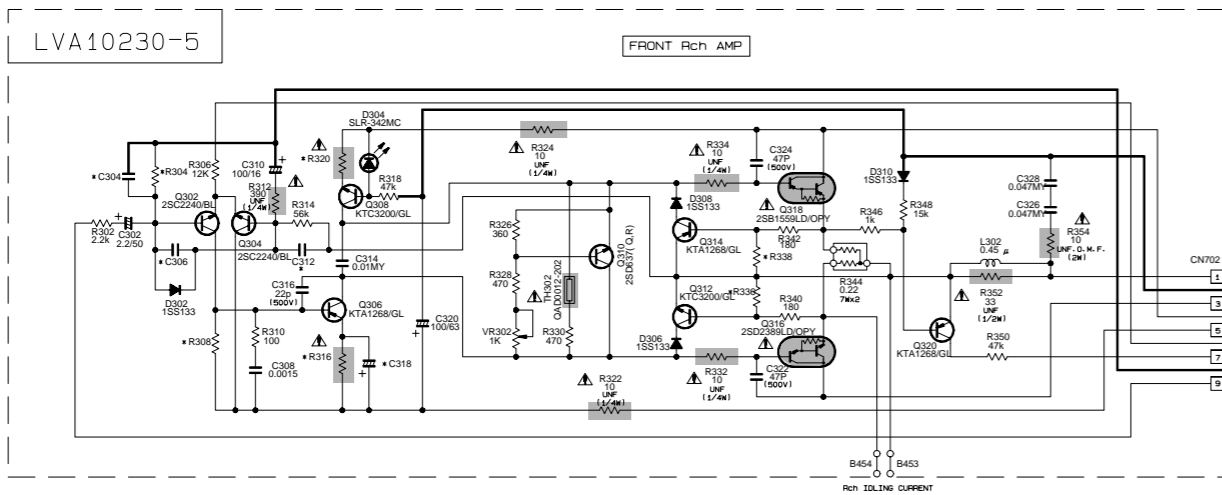
FROM CN713 OF LVA10229-2 (SHEET 2/7)



FROM CN711 OF LVA10229-2 (SHEET 2/7)



FROM CN714 OF LVA10229-2 (SHEET 2/7)



FROM CN712 OF LVA10229-2 (SHEET 2/7)

\*MARK LIST

	B-E-EN	J-C		B-E-EN	J-C
R303-304	68k	56k	C311-312	10p	22p
R307-308	2k		C811-812	10p	22p
R315-316	120 UNF (1/4W)	330 UNF (1/4W)	C911	10p	22p
R319-320	470 UNF (1/4W)	330 UNF (1/4W)	C303-304	68p	270p
R335-338	82	120	C803-804	68p	270p
R835-838	100	180	C903	68p	270p
R935	100	180	C305-306	220p	100p
R937	100	180	C805-806	220p	100p
C317-318	33/50	2-2/50	C905	220p	100p

- FRONT signal
- CENTER signal
- SURROUND signal

Parts are safety assurance parts. When replacing those parts make sure to use the specified.

5

4

3

2

1

A

B

C

2-4

D

E

F

G

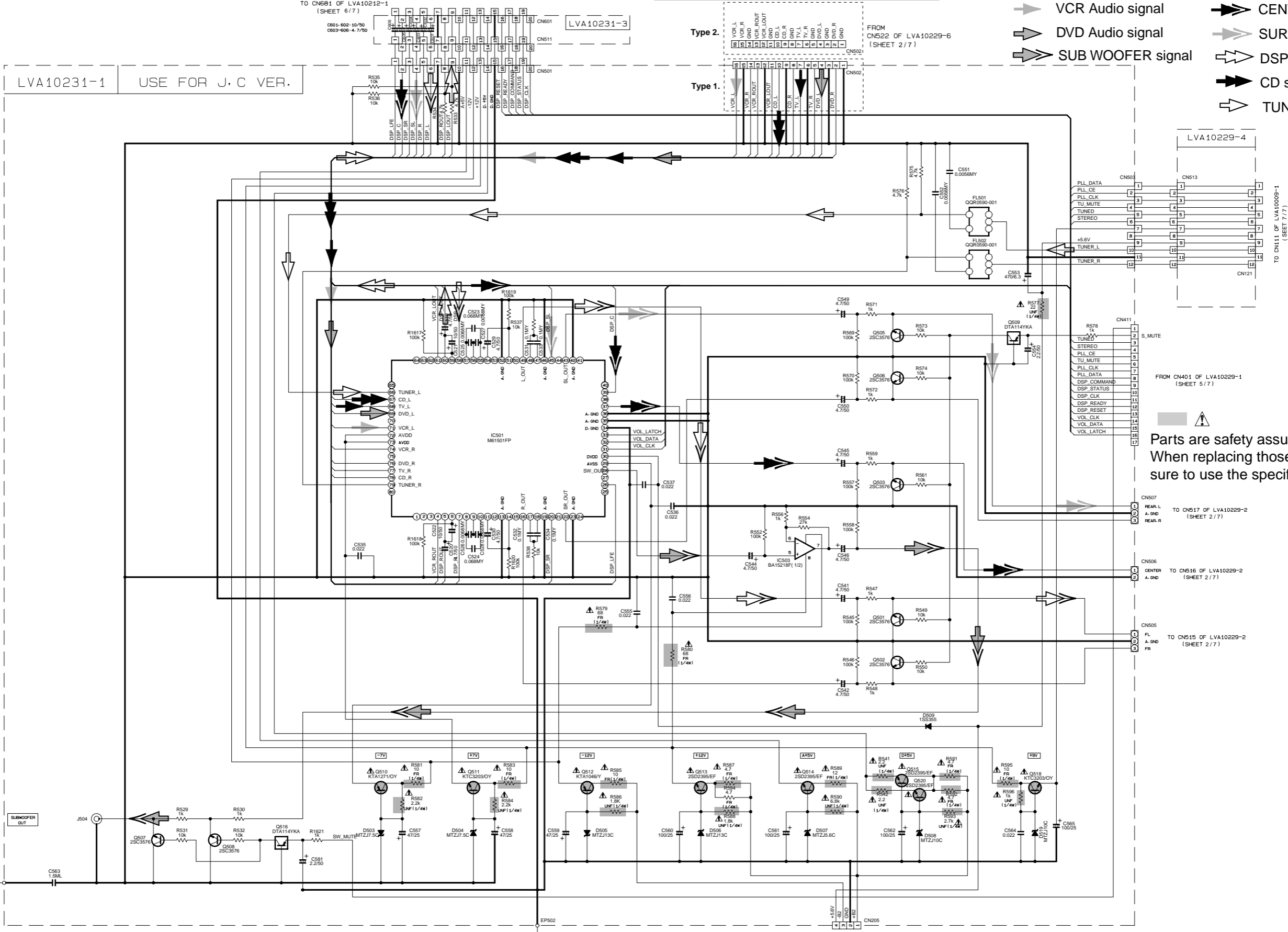
H

Audio signal input terminal section

Note : There are two types of connectors in the CN522

- ▶ TV Audio signal
- ▶ VCR Audio signal
- ▶ DVD Audio signal
- ▶ SUB WOOFER signal
- ▶ FRONT signal
- ▶ CENTER signal
- ▶ SURROUND signal
- ▶ DSP signal
- ▶ CD signal
- ▶ TUNER signal

5  
4  
3  
2  
1



Parts are safety assurance parts. When replacing those parts make sure to use the specified.

System control & FL displaying section

5

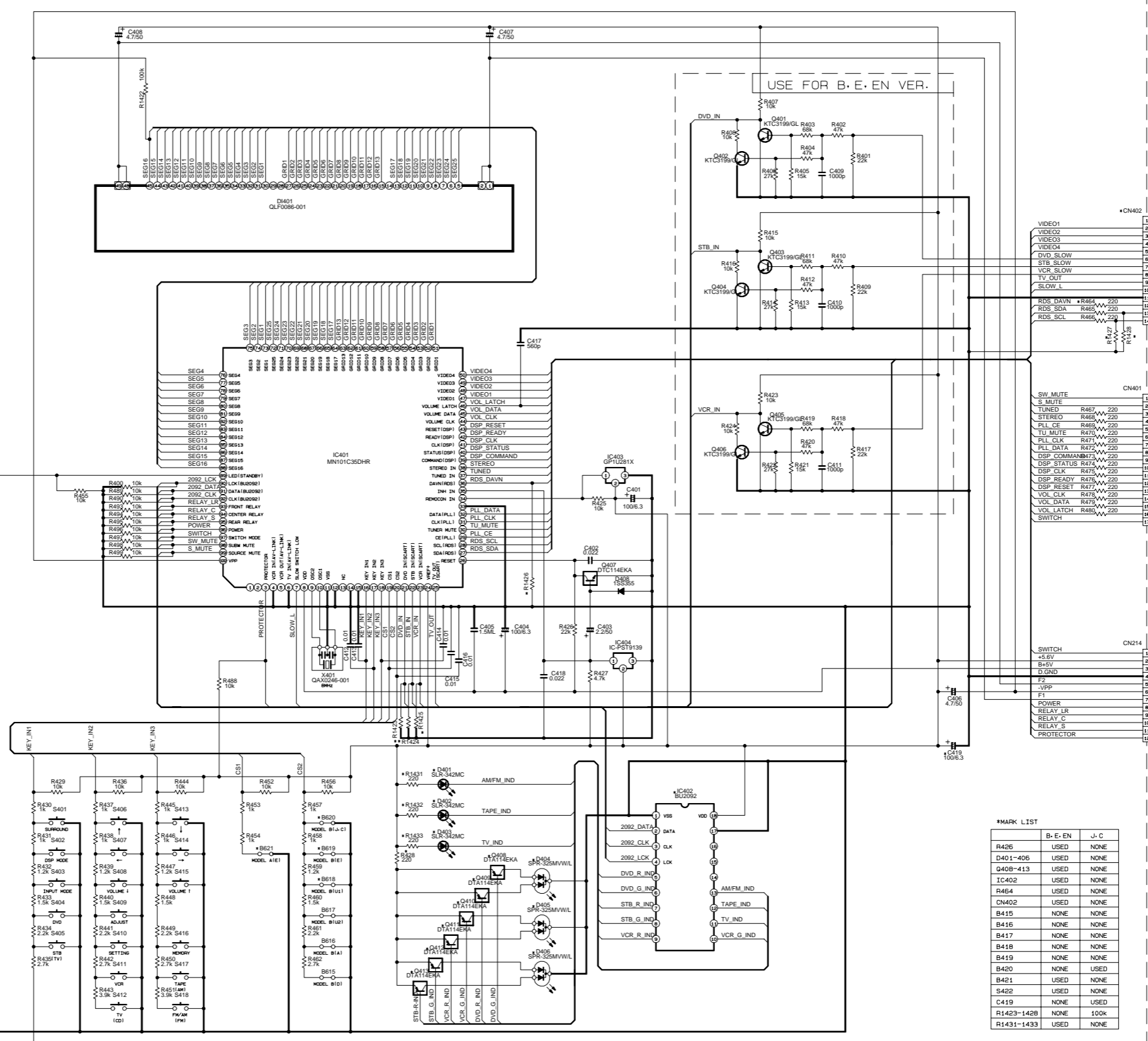
4

3

2

1

LVA10229-1



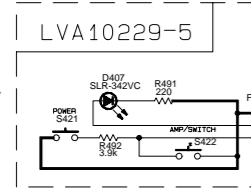
USE FOR B.E. EN VER.

\*MARK LIST

MARK	USED	B.E. EN	J.C
R426	USED	NONE	
D401-406	USED	NONE	
Q40B-413	USED	NONE	
IC402	USED	NONE	
R464	USED	NONE	
CN402	USED	NONE	
B415	NONE	NONE	
B416	NONE	NONE	
B417	NONE	NONE	
B418	NONE	NONE	
B419	NONE	NONE	
B420	NONE	USED	
B421	USED	NONE	
S422	USED	NONE	
C419	NONE	USED	
R1423-1428	NONE	100k	
R1431-1433	USED	NONE	

TO CN411 OF LVA10231-1 (SHEET 4/7)

FROM CN204 OF LVA10230-1 (SHEET 1/7)

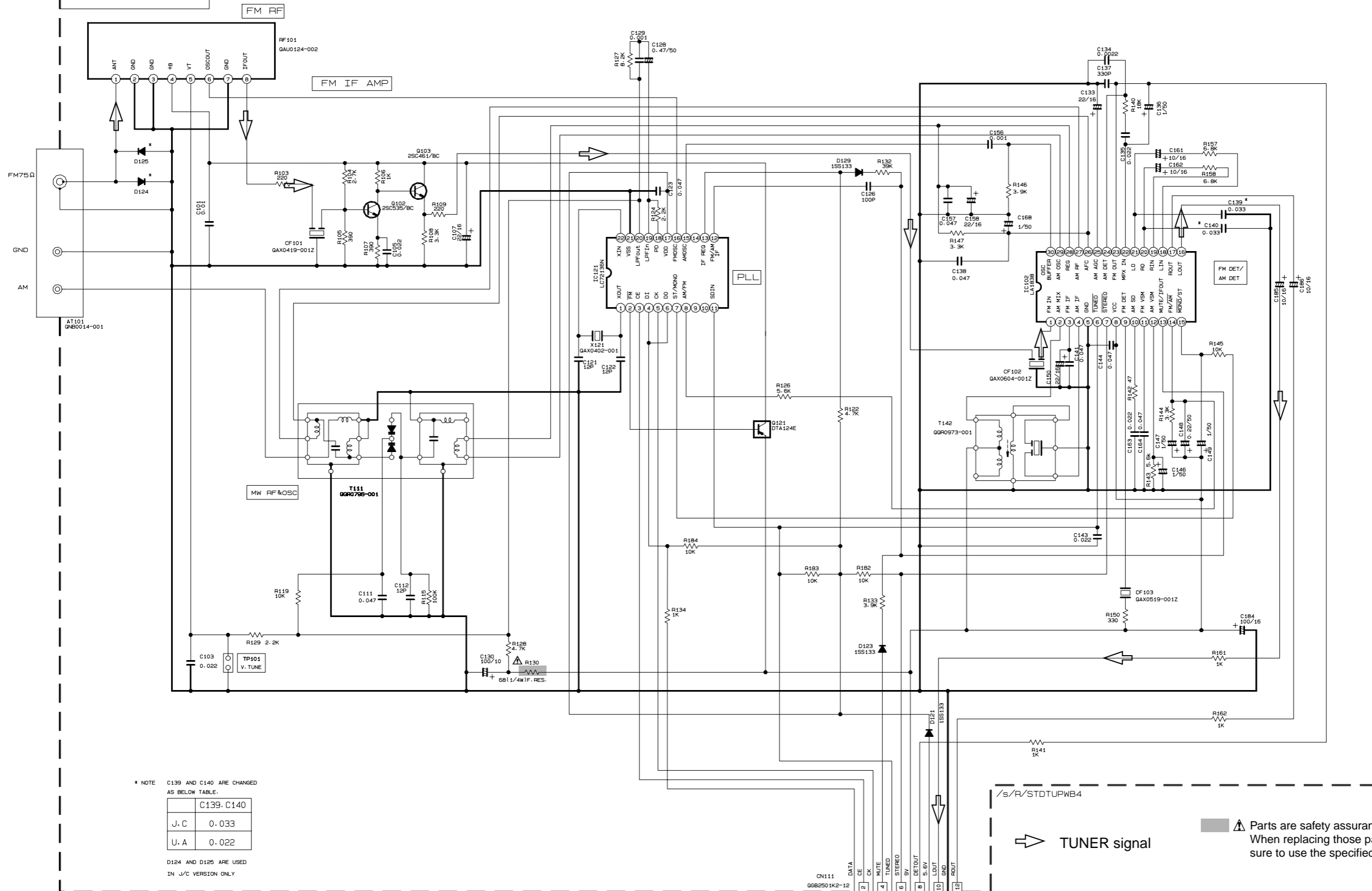




■ Tuner section

FOR J, C, U, A

LVA10009



\* NOTE C139 AND C140 ARE CHANGED AS BELOW TABLE.

	C139. C140
J. C	0.033
U. A	0.022

D124 AND D125 ARE USED IN J/C VERSION ONLY

/s/R/STDUPWB4

TUNER signal

▲ Parts are safety assurance parts. When replacing those parts make sure to use the specified one.

CN111  
06B2501K2-12  
TO CN121 LVA10229-4  
(SEET 6/7)







power amp. board

5  
4  
3  
2  
1

A B C D E F G 2-11

